

Miniature Thermocouple Plug IEC

TCKIT-002

Miniature connector with flat plug pins , contacts are polarised to prevent incorrect connection.

Advantages at a glance:

- Compact size
- Reliable temperature measurement
- Easy installation
- Wide compatibility
- Robust construction

Applications:

- Industrial process control
- Test and measurement
- Laboratory and research
- Automotive and aerospace
- Medical and healthcare



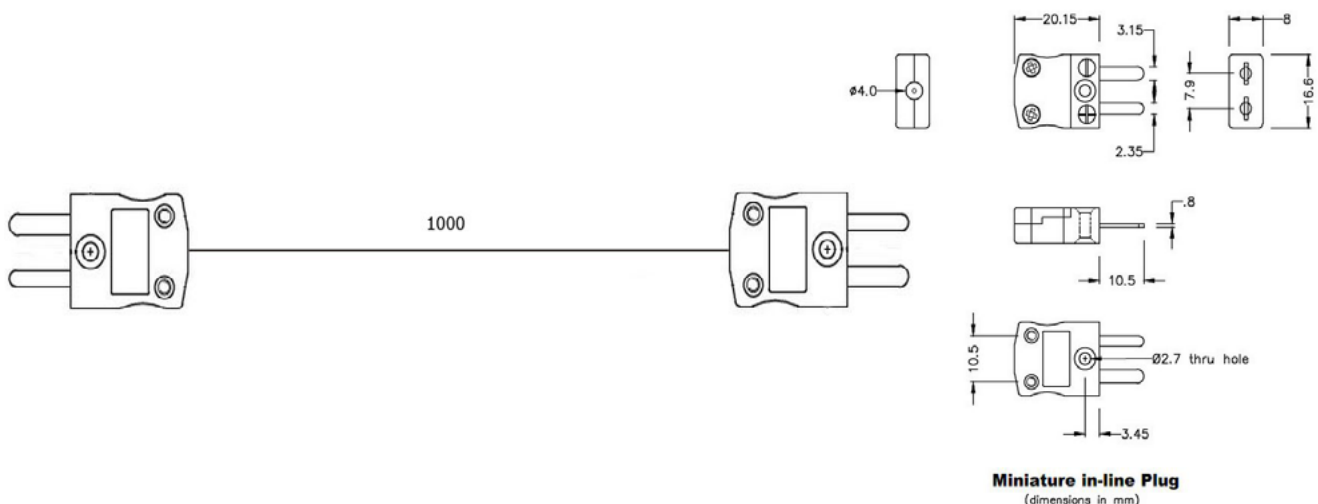
Thermocouple extension, 3 feet (1M)

Technical Data

Type	Color	+ Contact	- Contact
K	Green	Nickel Chromium	Nickel Alloy
J	Black	Iron	Copper Nickel
T	Brown	Copper	Copper Nickel
R/S	Orange	Copper	Copper Alloy
N	Pink	Nickel / Chromium / Silicon	Nickel Silicon
B	Grey	Copper	Copper
E	Violet	Nickel Chromium	Copper Nickel
Cu	White	Copper	Copper

Standards Met: BS EN 50212:1997. RoHS

Drawing



Contact and Support

ERMER Engineering Technologies Pvt Ltd
 NO.674 V.H.Road Sholinganallur
 Chennai Tamil Nadu-600119 India

+91-44-49507871
 info@ermer.co.in
 www.ermer.co.in

Data Sheet-7689